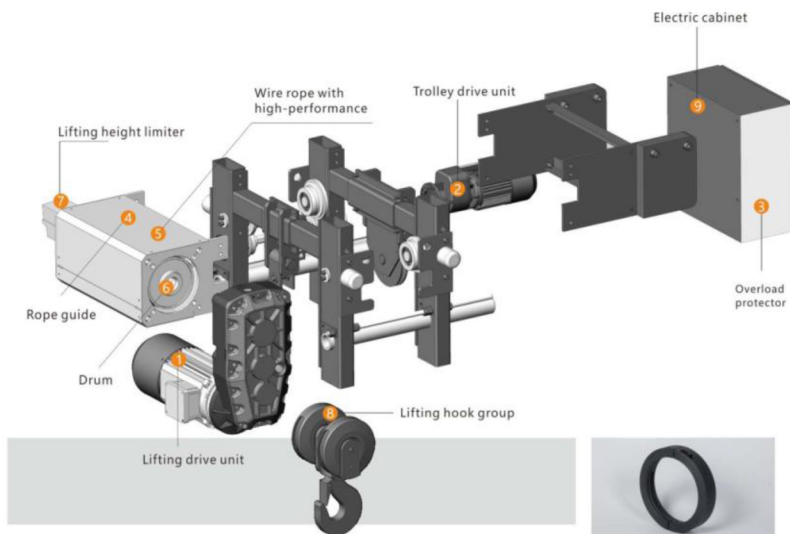




Wire Rope Hoist

Wire Rope Hoist Series .. Features & Specifications

SDWH Series Wire Rope Hoist



Trolley drive unit

Trinity of high-performance motor, reduction gearbox and brake. Compact structure, excellent performance. Low energy consumption, low noise and eco-friendly design. Variable frequency control, smooth running, low impact and meeting requirements of a variety of speed. Asbestos-free brake disc and its normal service life can be up to one million times. No-wear design. Maintenance-free, long service life.



Wire rope with high-performance

The imported wire rope of high performance with tensile strength up to 2160 N/MM². The surface with galvanized processing for corrosion prevention effectively. With good flexibility to ensure wear resistance of the wire rope and prolong its service life.



Rope guide

Light weight, good wear resistance, to reduce the wear of wire rope effectively. Prevent wire rope from skipping and loosening to off-groove and safety first.



Overload protector

After the rated weight, the lifting loop of hoist can be cut off quickly, so that the hoist can not lift heavy objects, so as to protect the hoist and operators' safety

SPEED

Wire Rope Hoist

Wire Rope Hoist Series ...Features & Specifications

**Modular design,
flexible combination,
Meet the individual
needs of customers**



Lifting drive unit



High-performance, large driving force and compact structure
Various components are running efficiency
Low energy consumption, low noise and eco-friendly design
Smooth running, low impact, safe and reliable
No-wear design, long service life
Electrical connection sustained rate is up to 60% to meet the demands of the high frequency lifting
Service life to asbestos-free brake can up to one million times
High protection grade of brake can meet the requirements of severe environment



Drum

Use the Q345 type seamless steel tube as raw material and process it by numbers of working procedure.
Advanced processing methods to ensure concentricity of the drum.
The depth of rope groove is in compliance with the FEM standard.
High-strength pressing plates and bolts are fastened on the end of the wire rope to ensure the safety of lifting.



Electric cabinet

Rational design, convenient maintenance, decreasing running cost.
Professional and high quality of electrical components, safe and reliable.
Multiple safety protection devices to ensure equipment safe.
Protection grade IP55.
Clear identification to easy for trouble removal.



Lifting hook group

DIN standard of lifting hook with safety latch.
Forged by the high-strength material of T grade.
Accompanied with nondestructive test certification of lifting hook randomly.



Lifting height limiter

Freely adjustable screw lifting height limiter with high precision, wide adjustment range, safe and reliable.
Multiple-contact configurations can effectively achieve the function of transition with low and high speed and the stop during the rise and fall.



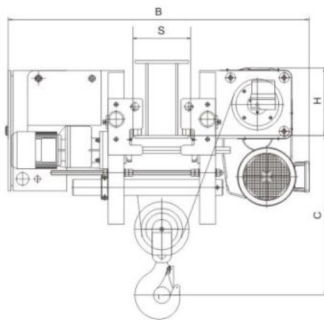
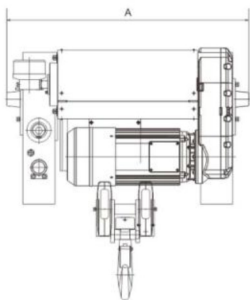
Wire Rope Hoist

Wire Rope Hoist Series .. Features & Specifications

3.2 ~ 20ton

Single Girder Wire Rope Hoist

It has the technical characteristics of light dead weight,
low headroom and small wheel pressure.
Ensure the stability and safety of product use.
Create long-term value for customers.



» Technical Parameters

Capacity (t)	Lifting height (m)	Work level FEM/ISO	Lifting speed m/min	Lifting power kW	Travelling speed m/min	Travelling power kW	Size H (mm)	Size C (mm)	Size A (mm)	Size B (mm)	Size S (mm)
3.2	6	2m/M5	5/0.8	3.2/0.45	5-20	0.37	244	385	932	1087-1587	200-500
3.2	9	2m/M5	5/0.8	3.2/0.45	5-20	0.37	245	385	1082	1087-1587	200-500
3.2	12	2m/M5	5/0.8	3.2/0.45	5-20	0.37	245	385	1282	1087-1587	200-500
3.2	15	2m/M5	5/0.8	3.2/0.45	5-20	0.37	245	385	1482	1087-1587	200-500
3.2	18	2m/M5	5/0.8	3.2/0.45	5-20	0.37	245	385	1682	1087-1587	200-500
5.0	6	2m/M5	5/0.8	6.1/1	5-20	0.5	266	495	940	1095-1395	200-500
5.0	9	2m/M5	5/0.8	6.1/1	5-20	0.5	266	495	1090	1095-1395	200-500
5.0	12	2m/M5	5/0.8	6.1/1	5-20	0.5	266	495	1290	1095-1395	200-500
5.0	15	2m/M5	5/0.8	6.1/1	5-20	0.5	266	495	1490	1095-1395	200-500
5.0	18	2m/M5	5/0.8	6.1/1	5-20	0.5	266	495	1690	1095-1395	200-500
10.0	6	2m/M5	5/0.8	9.5/1.5	5-20	0.75	296	792	940	1282-1582	200-500
10.0	9	2m/M5	5/0.8	9.5/1.5	5-20	0.75	296	792	1090	1282-1583	200-500
10.0	12	2m/M5	5/0.8	9.5/1.5	5-20	0.75	296	792	1290	1282-1584	200-500
10.0	15	2m/M5	5/0.8	9.5/1.5	5-20	0.75	296	792	1490	1282-1585	200-500
10.0	18	2m/M5	5/0.8	9.5/1.5	5-20	0.75	296	792	1690	1282-1586	200-500
12.5	6	1AM/M4	5/0.8	12.5/2	5-20	0.75	296	792	940	1282-1587	200-500
12.5	9	1AM/M4	5/0.8	12.5/2	5-20	0.75	296	792	1090	1282-1588	200-500
12.5	12	1AM/M4	5/0.8	12.5/2	5-20	0.75	296	792	1290	1282-1589	200-500
12.5	15	1AM/M4	5/0.8	12.5/2	5-20	0.75	296	792	1490	1282-1590	200-500
12.5	18	1AM/M4	5/0.8	12.5/2	5-20	0.75	296	792	1690	1282-1591	200-500
16.0	6	2m/M5	4/0.6	16/2.6	5-20	0.75x2	300	900	1690	1282-1591	200-500
16.0	9	2m/M5	4/0.6	16/2.6	5-20	0.75x2	300	900	1690	1282-1591	200-500
16.0	12	2m/M5	4/0.6	16/2.6	5-20	0.75x2	300	900	1690	1282-1591	200-500
16.0	15	2m/M5	4/0.6	16/2.6	5-20	0.75x2	300	900	1690	1282-1591	200-500
16.0	18	2m/M5	4/0.6	16/2.6	5-20	0.75x2	300	900	1690	1282-1591	200-500
20.0	6	1AM/M4	4/0.6	16/2.6	5-20	0.75x2	300	900	1690	1282-1591	200-500
20.0	9	1AM/M4	4/0.6	16/2.6	5-20	0.75x2	300	900	1690	1282-1591	200-500
20.0	12	1AM/M4	4/0.6	16/2.6	5-20	0.75x2	300	900	1690	1282-1591	200-500
20.0	15	1AM/M4	4/0.6	16/2.6	5-20	0.75x2	300	900	1690	1282-1591	200-500
20.0	18	1AM/M4	4/0.6	16/2.6	5-20	0.75x2	300	900	1690	1282-1591	200-500

Due to continuous product optimization and improvement, if there is any parameter change, the actual shall prevail